

# ALUMINUM

## Snapgraphics Grippers™



Ingenious gripper snaps closed after graphic insertion with incredible strength, torque and care.

**Features:**

- Beautifully finished aluminum case
- Designed to close easily once graphic is inserted
- No pockets or graphic end treatment required
- Ideal for large signage, reusable

**Patented!**

U.S. Utility Patent #: 6,637,716  
U.S. Design Patent #: D-424,120



**SOLD AS A KIT**

Top & bottom crossbar with 2 universal hanging clips.

Specify: **Case—Length—Color\***

**Case**

SN1	Oval
SN2	Rectangular
SN3	Oval, long
SN4	Rectangular, long

**Length**

1 - 18"	4 - 28"	7 - 60"
2 - 22"	5 - 36"	8 - 72"
3 - 24"	6 - 48"	9 - 96"

Custom lengths available

**Color\***

-S	Satin Silver
-B	Matte Black

\* Does not affect price, but must use to order.



-AB Adhesive back models available. Same cost as models with hanging clips.

**Accessories:**



UC-44  
Wall Mount Kit  
for SN1 & SN2  
Set of 4.



UC-180  
Steel Brackets  
Set of 4. Allows casings to be joined in series.

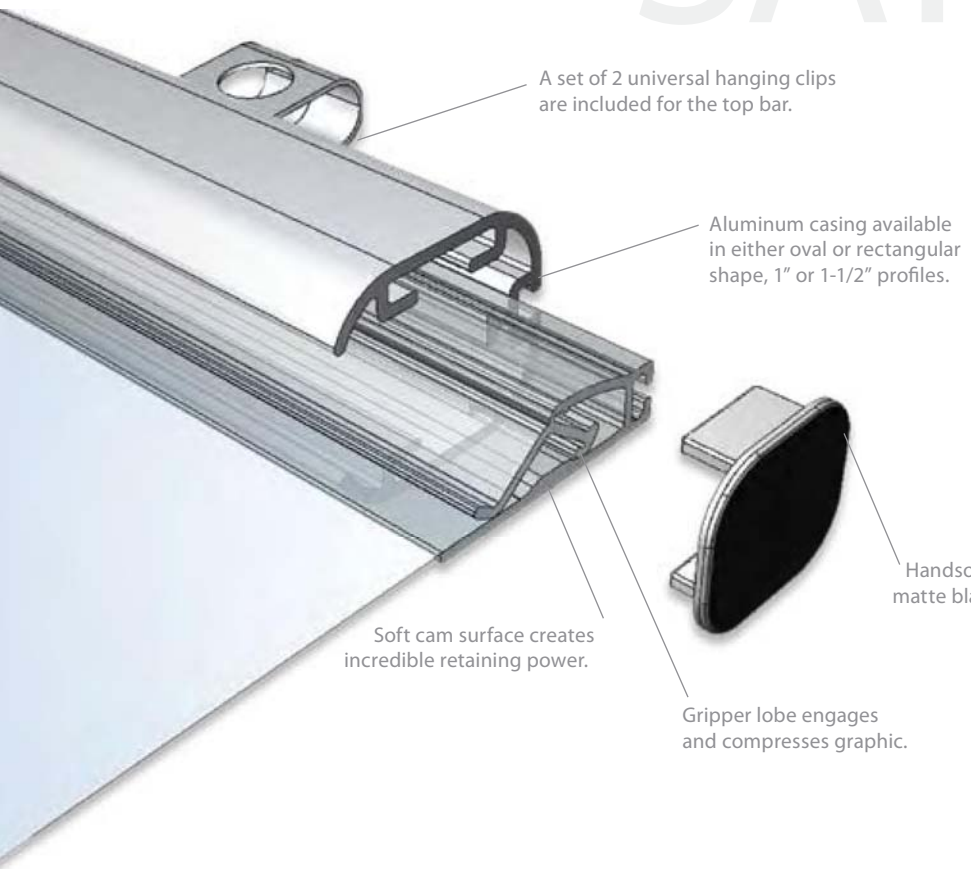


UC-SP  
Aluminum Screw Posts,  
set of 2. For thick graphics  
(up to 3/8"), use in place of Grabber.

Grip Graphics up to 70 mil (.070") thick.

# SATIN FINISH

## Snapgraphics Grippers™



Snapgraphics™ see stands pgs. 46-47, 56-57.



SN1  
Gripper extends below 1" high profiles



SN2



SN3

Longer 1-1/2" models totally enclose gripper



SN4



UCWB  
Wall Mount Bracket - Set of 2, 3-1/4" diameter. For 36" maximum. Indicate -B Black or - S Silver



UC-LK  
Joiner - set of 2, for hanging bars in series.



Special order without grippers. For use with pocket graphics. Add 1" for clips (top).



Wide variety of hanging holders pages 70.

# ALUMINUM

## Easygraphics Grippers™



Grip Graphics up to 3/32" (.093") thick.

Hanging system features phenomenal performance with the convenience of instant graphic insertion

**Features:**

- Beautiful aluminum case
- No pockets or graphic end treatment required
- Simply insert graphic
- Reusable, Ideal for large signage



**SOLD AS A KIT**  
Top & bottom crossbar with 2 universal hanging clips.

So easy,  
Simply insert the graphic from the bottom up!

**Accessories:**



UC-44  
Wall Mount Kit  
for EA-1 & EA-2.  
Set of 4.



UC-180  
Steel Brackets  
Set of 4. Allows casings to be joined in series.



UC-SP  
Aluminum Screw Posts,  
set of 2. For thick graphics (up to 3/8"), use in place of gripper.

Specify: **Case—Length—Color \***

**Case**

EA1	Oval
EA2	Rectangular
EA3	Oval, long
EA4	Rectangular, long

**Length**

1 - 18"	4 - 28"	7 - 60"
2 - 22"	5 - 36"	8 - 72"
3 - 24"	6 - 48"	9 - 96"

Custom lengths available

**Color\***

-S	Satin Silver
-B	Matte Black

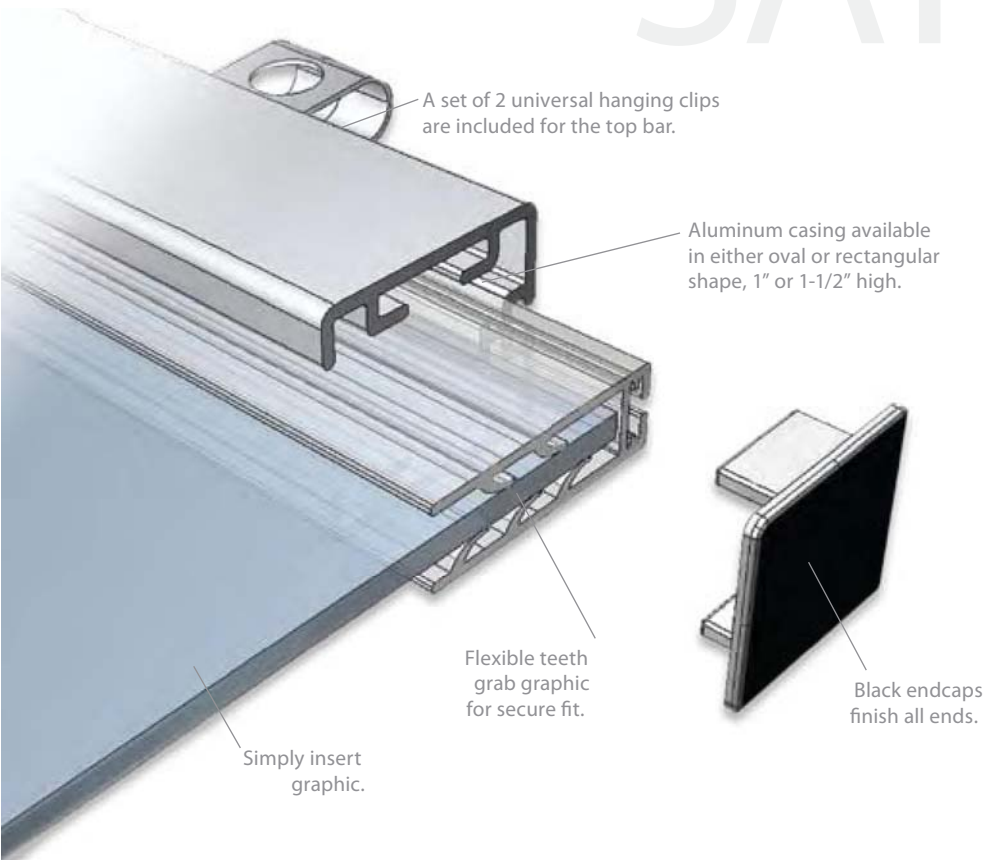
\* Does not affect price, but must use to order.



-AB Adhesive back models available. Same cost as models with hanging clips.

# SATIN FINISH

Easygraphics Grippers™



Stands featuring Easygraphics™ Bars are available.



EA1  
Gripper extends below 1" high profiles

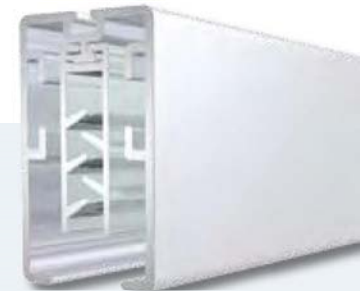


EA2



EA3

Longer 1-1/2" models totally enclose gripper



EA4



UCWB  
Wall Mount Bracket - Set of 2,  
3-1/4" diameter. For 36" maximum.  
Indicate -B Black or -S Silver



UC-LK  
Joiner - set of 2,  
for hanging bars in series.



Special order without grippers.  
For use with pocket graphics.  
Add 1" for clips (top).



Wide variety of  
hanging holders  
pages 70.

# EXTRUDED

## Snapgraphics Gripper Bars™



Ingenious grippers snaps closed after graphic insertion with incredible strength, torque and care.

Closes easily once graphic is inserted

Ideal for large signage. Units are reusable

No pockets or graphic end treatment required

U.S. Utility Patent #: 6,637,716  
U.S. Design Patent #: D-424,120

Grip graphics to .70 mil (.070") thick.

Snapgraphics™	Snapgraphics Oval™	Length
GC-18	GCO-18	18"
GC-22	GCO-22	22"
GC-24	GCO-24	24"
GC-28	GCO-28	28"
GC-36	GCO-36	36"
GC-48	GCO-48	48"
GC-60	GCO-60	60"
GC-72	GCO-72	72"
GC-96*	GCO-96*	96"

Custom lengths available.

\*96" lengths must transport via truck.

### SOLD AS A KIT

Top & bottom crossbar with 2 universal hanging clips.



#### GC

- C Clear blends beautifully
- B Black not for direct sunlight
- W White is white
- S Silver simulates tech

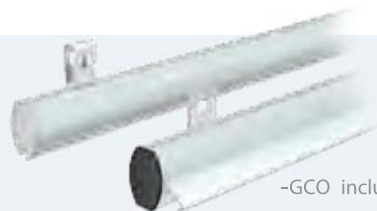
#### GCO

- C Clear – See the full graphic includes clear end caps
- S Silver – Simulates aluminum casing, includes black end caps.

Wide variety of hanging holders page 70.

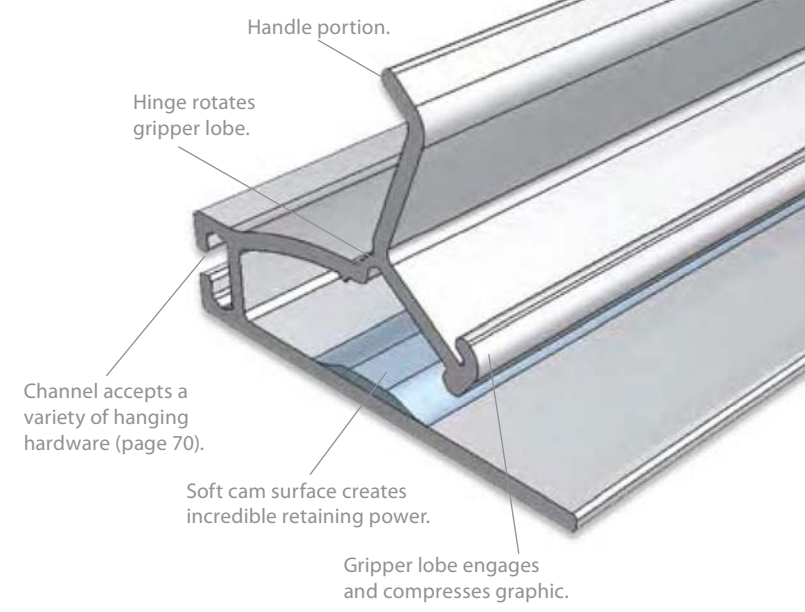


Clear or Black plastic hanging clips can be substituted for the universal clips.



-GCO includes end caps.

### SNAPGRAPHICS™



Handle portion.

Hinge rotates gripper lobe.

Channel accepts a variety of hanging hardware (page 70).

Soft cam surface creates incredible retaining power.

Gripper lobe engages and compresses graphic.

### SNAPGRAPHICS OVAL™

Same fabulous gripping power, but rounded body offers more lengthwise rigidity - especially good for wide graphics.



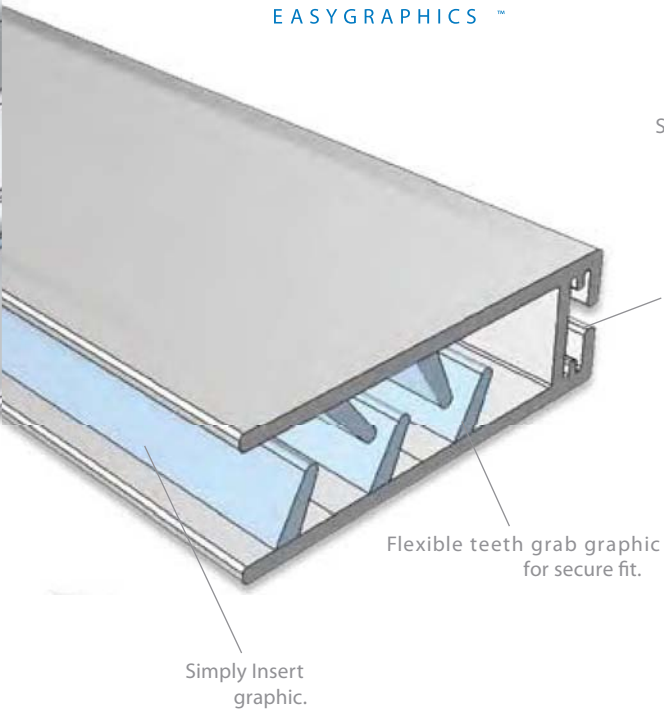
Silver simulates aluminum casing.

# SIMPLISTIC

## Easygraphics Gripper Bars™

EASYGRAPHICS™

Easiest graphics gripper bar available.  
Simply insert the graphic from the bottom up!



### SOLD AS A KIT

Top & bottom crossbar with  
2 universal hanging clips.



Clear or Black plastic hanging clips can be substituted for the universal clips.

### Easygraphics™ Length

Easygraphics™	Length
GJ-18	18"
GJ-22	22"
GJ-24	24"
GJ-28	28"
GJ-36	36"
GJ-48	48"
GJ-60	60"
GJ-72	72"

Custom lengths available

### GJ

- C Clear blends beautifully
- B Black not for direct sunlight
- W White is white
- S Silver simulates tech



Grip Graphics up to  
3/32" (.093") thick.

Hanging system features  
phenomenal performance with the convenience of instant graphic insertion.

Common GC, GCO  
and G J Accessories:

Joiners	Packed	Part #
Straight 180°	(2)	J-180(2)
Triangular 60°	(6)	J-060(6)
Square 90°	(8)	J-090(8)
X Spoke	(2)	J-EXE(2)
UC-LK Joiner	(2)	UC-LK(2)



J-180 Straight



J-060 Triangular



J-090 Square



J-EXE X Spoke



UC-LK Joiner - set of 2

To place an order for this product : [www.ddisigns.com](http://www.ddisigns.com) - [sales@ddisigns.com](mailto:sales@ddisigns.com) - 757-596-1511

# LIGHTWEIGHT

## Clipster Graphic Holders™



plastic clip used as wall mount with nail



plastic clip used as ceiling mount

Plastic mounting clip allows ceiling suspension or wall hanging

- Great for posters, and thin graphics (.020" max.)
- Modern, clean, techy look at a low price point
- Satin anodized oval aluminum alloy tubes
- Clear plastic spring clips allow graphic corner details to be seen

- Frame can be hung either vertically or horizontally
- Assembles in minutes without tools
- Available in satin silver and matte black
- Springs ensure constant tension. Use mounting clip included for wall mounting or ceiling suspension

All units can be hung vertically or horizontally.

Specify: **Style – Color \***

Style	Size	Style	Size
WCF1	5-1/2" x 7"	WCF5	11" x 17"
WCF2	7" x 11"	WCF6	14" x 22"
WCF3	8-1/2" x 11"	WCF7	22" x 28"
WCF4	11" x 14"	WCF8	24" x 36"

**Color\***

- S Satin Silver
- B Matte Black

\*Does not affect price.



Spring tension clips grip your poster or graphic in place.

Lightweight aluminum frame available silver or black finish.

FUNCTIONALITY ... AT A GREAT PRICE POINT