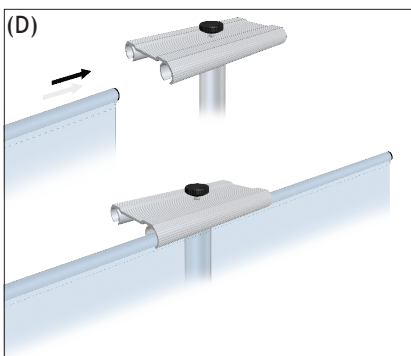
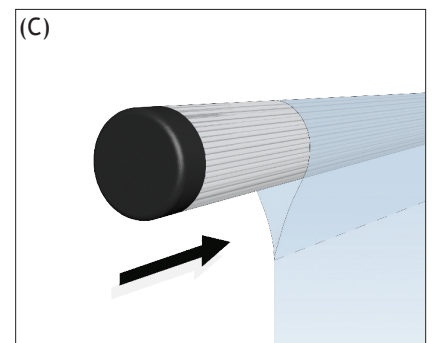
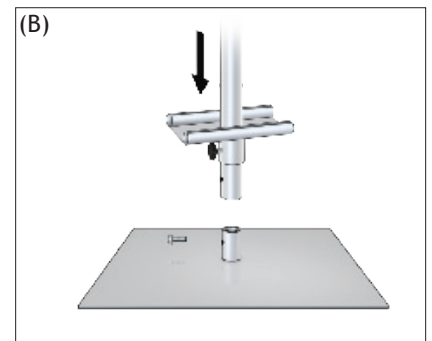
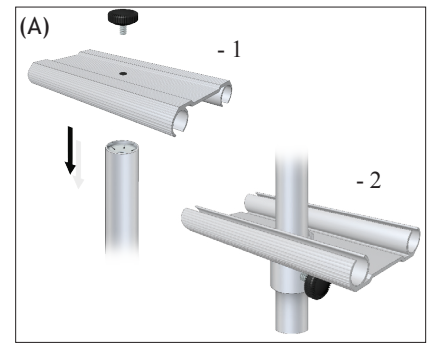


# Banner Stands (Classic™)

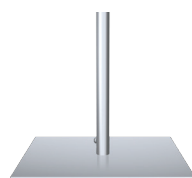
1. Screw top holder onto pole using knob (fig. A-1).
2. Slide bottom holder onto large diameter pole and secure with knob (fig. A-2).
3. Screw pole onto base using Phillips head screw (fig. B).
4. Insert dowels through opening on graphics (fig. C).
5. Insert dowels into top and bottom holders (fig. D).
6. Position banners to desired position by adjusting bottom dowel holder position and by opening center pole until graphics are taught, then tighten.

## Applicable Products:

BN1, BN1-RD  
 BN2, BN2-RD, BN2-TB  
 BN2-PB, BN2- HB  
 BN3, BN3-RD, BN3-TB



## BASES



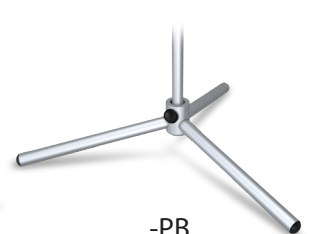
Standard



-RD



-TB



-PB